



Arden

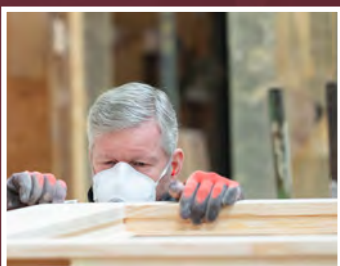
The forefront of timber
windows & doors

Door and Window Solutions

Arden Windows Ltd

A British Manufacturer and Installer
of Premium Quality, Bespoke Timber
Windows and Doors.

Family Owned Since 1989





Arden Windows are the first choice fenestration partner for many main contractors and local authorities across the UK, including London Boroughs, Engie, Durkan, Taylor Wimpey, Berkeley Homes, Morris Homes, Cameron Homes and many others. We are also appointed suppliers to the LHC and WPA.

Products fully conform to current
British Building Regulations & FENSA Standards



Contents

Casement Range.....	4
Sliding Sash.....	14
Bespoke Windows.....	21
Door Solutions.....	22
Case Studies	38
Projects	44



Casement Range



Standard Window Products

The standard window range represents 90% of all window manufacturing we undertake. These products are made to customer bespoke sizes and are factory finished in a range of RAL Colours or Stains. Additional material options include softwood, hardwood, Oak & Accoya, the addition of astragal bars, special glazing options and a choice of ironmongery. Shaped and Arched frames are also possible.



Flush Casement Windows

Flush casement windows were the hallmark of British architecture in Georgian, Victorian and Edwardian properties. Arden's offering is an authentic high-performance window manufactured in engineered timber. Fully accredited, factory glazed and finished, with an expected life cycle of 60+ years.

Storm Proof Casement

Our storm proof casement is a traditional lipped casement meaning the opening sashes lip over the front of the window frame. Our storm proof casement also has a narrower frame section than our flush casement window.



Mock Sash Casement Windows

The mock sash window is designed to replicate the aesthetics of the traditional sliding sash window. It is a cheaper alternative and allows for installation into a much shallower facade than the traditional sliding sash frame would require. Arden's Heritage Mock Sash variant was awarded "Best Product Design in Wood" by the BWF in 2018 for its innovative features.

HATHAWAY

Flush Casement Windows



- ✓ Life expectancy 60+ years
- ✓ Sustainably sourced engineered timber. Softwood or Hardwood
- ✓ Advanced environmentally responsible paint systems
- ✓ Fully factory finished & glazed
- ✓ Thermally efficient U-Values 1.0 – 1.6Wm2K
- ✓ Air permeability : Class 3
- ✓ Wind resistance : Class 5
- ✓ Water tightness : Class 6A
- ✓ Acoustic attenuation up to 42dB
- ✓ Top hung / Side hung / Shaped
- ✓ Fully reversible (Top Swing)



BS EN ISO 9001:2016



BS EN ISO 14001:2016



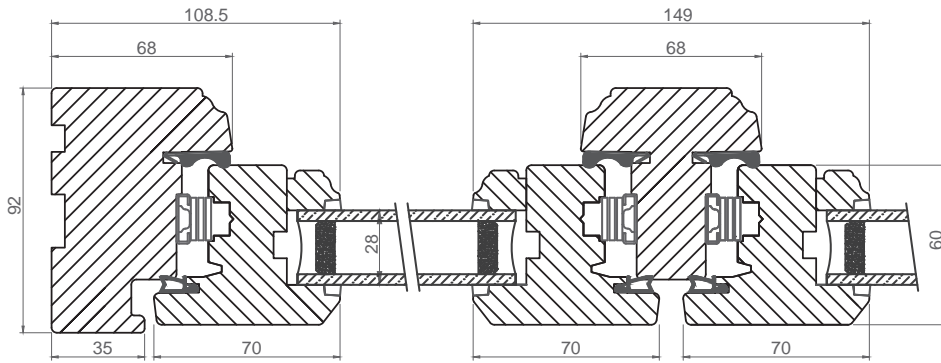
Secured by Design
(Optional on request)



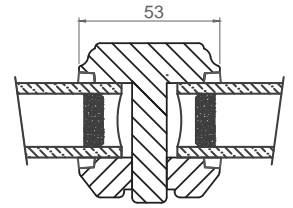
WinMark™ Enhanced Security
(PAS24 where requested)



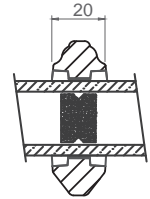
HATHAWAY CROSS SECTION DRAWING



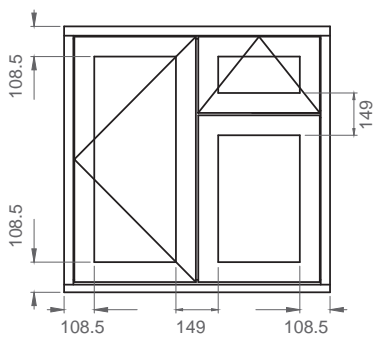
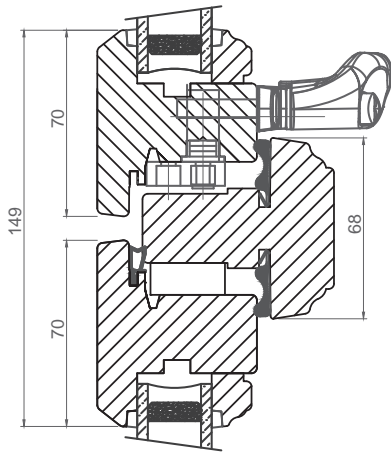
HORIZONTAL ELEVATION



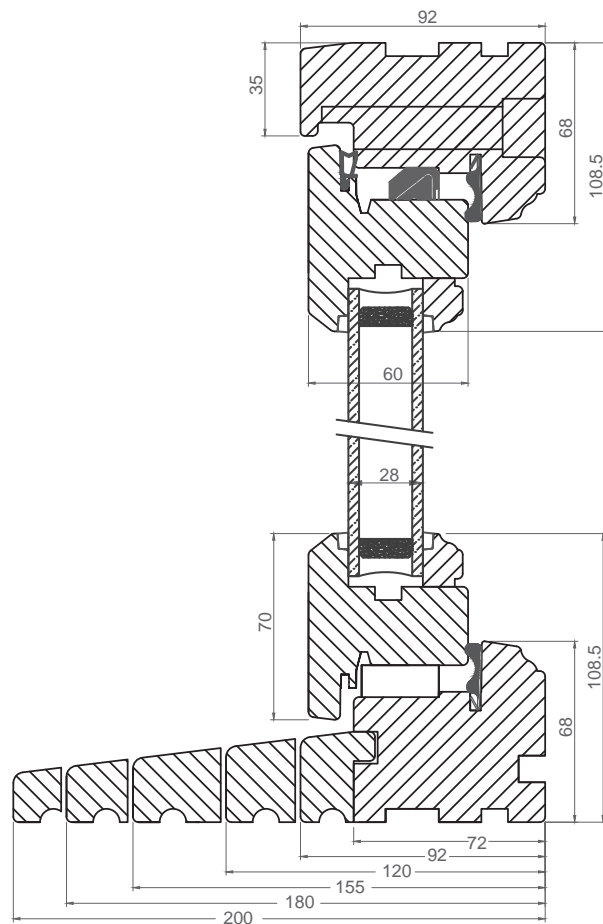
SOLID GLAZING BAR OPTION



PLANT ON GLAZING BAR OPTION



TYPICAL FRONT ELEVATION



VERTICAL ELEVATION

WARWICK

Storm Proof Casement



- ✓ Life expectancy 60+ years
- ✓ Sustainably sourced engineered timber. Softwood or Hardwood
- ✓ Advanced environmentally responsible paint systems
- ✓ Fully factory finished & glazed
- ✓ Thermally efficient
- ✓ U-Values 1.0 – 1.6Wm2K
- ✓ Air permeability : Class 3
- ✓ Wind resistance : Class 5
- ✓ Water tightness : 6A
- ✓ Acoustic glazing options
- ✓ Top hung / Side hung



BS EN ISO 9001:2016



BS EN ISO 14001:2016



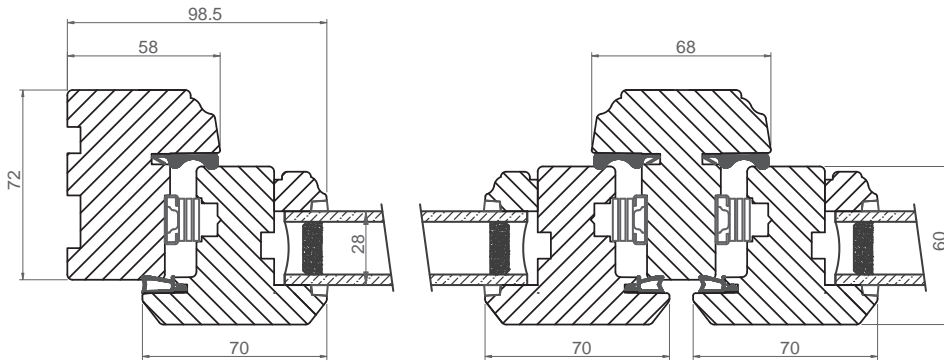
Secured by Design
(Optional on request)



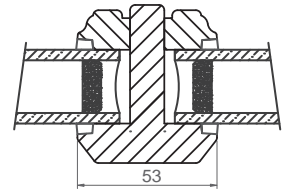
WinMark™ Enhanced Security
(PAS24 where requested)



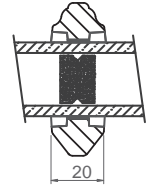
WARWICK CROSS SECTION DRAWING



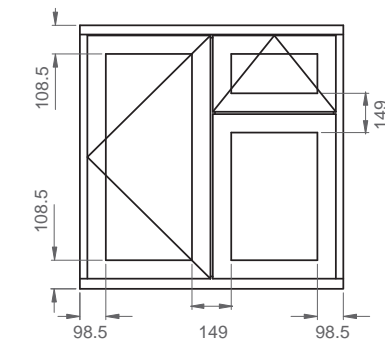
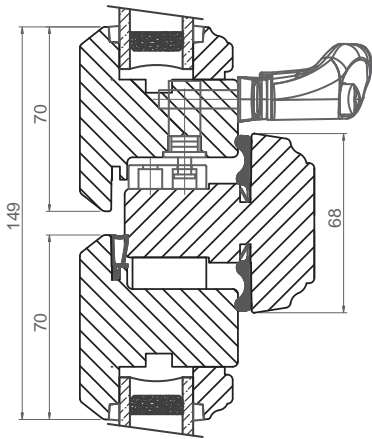
HORIZONTAL ELEVATION



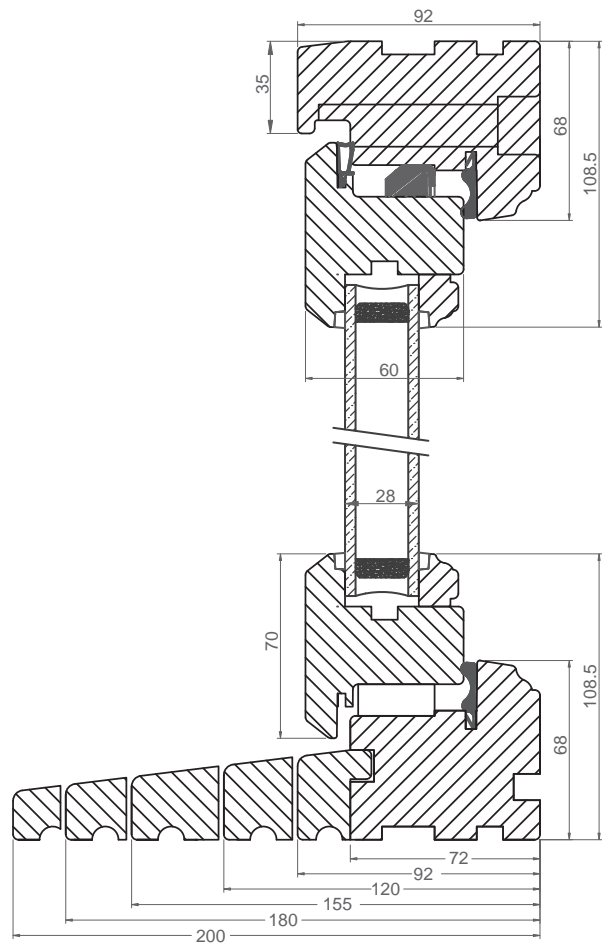
SOLID GLAZING BAR OPTION



PLANT ON GLAZING BAR OPTION



TYPICAL FRONT ELEVATION



VERTICAL ELEVATION

STONELEIGH

Mock Sash Casement



- ✓ Life expectancy 60+ years
- ✓ Sustainably sourced engineered timber. Softwood or Hardwood
- ✓ Advanced environmentally responsible paint systems
- ✓ Fully factory finished & glazed
- ✓ Thermally efficient
- ✓ U-Values 1.0 – 1.6Wm2K
- ✓ Air permeability : Class 3
- ✓ Wind resistance : Class 5
- ✓ Water tightness : 6A
- ✓ Acoustic glazing options
- ✓ Top hung / Side hung
- ✓ Option for openable lower sash
- ✓ Bespoke profile & horn detailing



BS EN ISO 9001:2016



BS EN ISO 14001:2016



Secured by Design

(Optional on request)

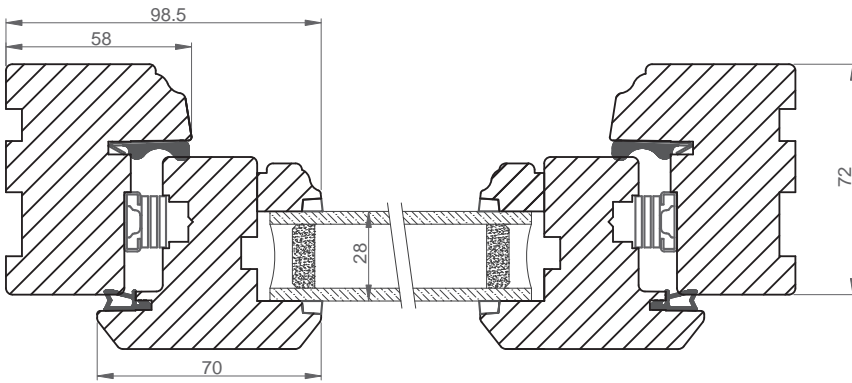


WinMark™ Enhanced Security

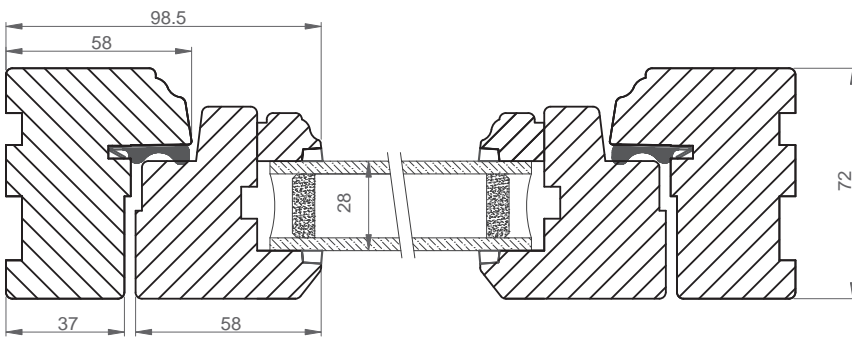
(PAS24 where requested)



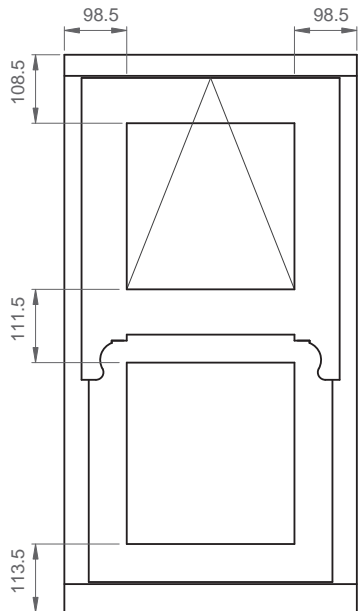
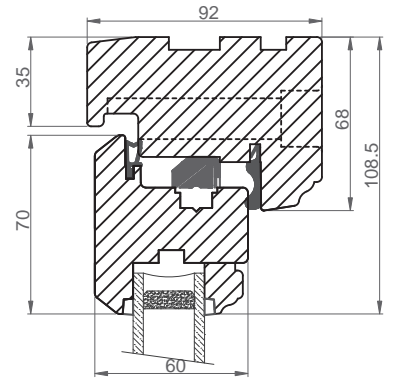
STONELEIGH CROSS SECTION DRAWING



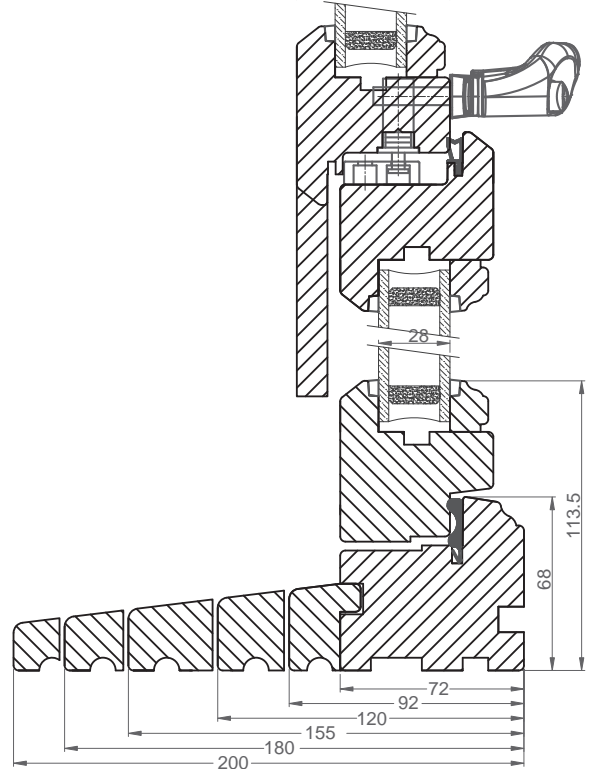
SECTION THROUGH OPENING SASH



SECTION THROUGH FIXED SASH



FRONT ELEVATION



VERTICAL ELEVATION

Casement Windows Hardware

The look and feel of any window is influenced by the choice of furniture.

In the creation of our window furniture collections we have focussed upon the key elements of aesthetics, quality, security and performance.

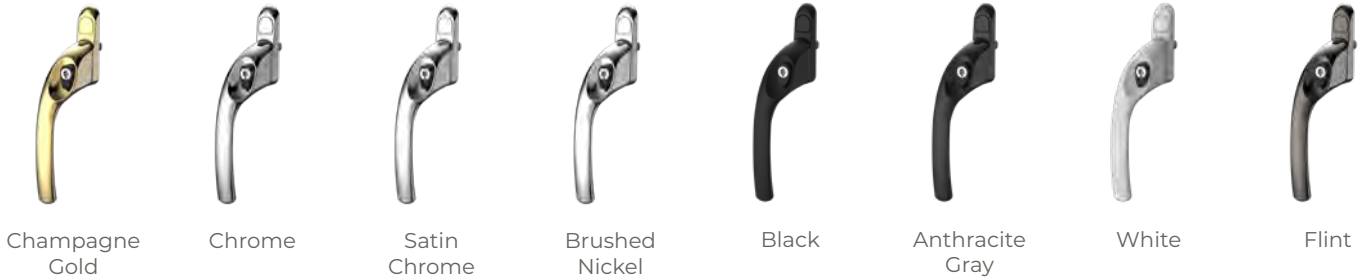
Standard Hardware Offering

Cranked



- ✓ Push to release locking mechanism
- ✓ Contoured handle for ease of use
- ✓ Endurance tested to 25,000 operations
- ✓ Champagne Gold/Chrome/Flint meet requirements of BS EN 1670 – grade 4 (240 hrs Salt Spray), Powder Coated – grade 5 (500 hrs Salt Spray)

Finishes



Champagne Gold

Chrome

Satin Chrome

Brushed Nickel

Black

Anthracite Gray

White

Flint

Premium Hardware Offering

Should you be looking for something a little more sublime than our standard handle. We have teamed up with leading supplier Coastal to bring you a range of the highest quality upgrade options available in Traditional and Contemporary Styles, in a number of finishes.



BLU™

Regent Window Espagnolette Handles

- ✓ High quality, elegant window espag handle.
- ✓ Lockable for added security.
- ✓ Solid 316 Stainless Steel for extra durability.
- ✓ Durability tested to 10,000 cycles.



PBK

PPB

PSB

PSS

SSS

Finish Icon Key

SSS Satin Stainless Steel

PSB PVD Stainless Satin Brass

PBK PVD Stainless Satin Black

PSS Polished Stainless Steel

PPB PVD Stainless Polished Brass

TMB Textured Matt Black



BLU™

Opera Window Espagnolette Handles

- ✓ High quality, classic style window espag handle.
- ✓ Lockable for added security.
- ✓ Solid 316 Stainless Steel for extra durability.



BLU™

Contemporary Window Espag Handles

- ✓ Made from solid 316 Marine Grade Stainless Steel.
- ✓ Lockable for added security.



Cranked



Bulb end

Curly Tail

Antique Window Espag Handles

- ✓ Push button to operate, key to deadlock for added security.
- ✓ Faux screw cover cap to help retain traditional heritage look.



Pera PER50B Bulb End Window Espag Handles



Satin Chrome



Polished chrome



Satin Brass



Polished Brass



Black



Oil Rubbed Bronze



Sliding Sash



Sliding Sash Windows

Timber sliding sash windows have been a distinctive property feature since the 17th century and continue to be an aspirational feature in period style and executive new build properties as well in heritage, conservation areas, and listed buildings. Our versatile Kinward range is manufactured to the highest of standards, is fully accredited and can be fully modified to your project needs.

KINWARD Sliding Sash Windows



- ✓ Life expectancy 60+ years
- ✓ Sustainably sourced engineered timber.
Softwood or Hardwood
- ✓ Advanced environmentally responsible paint systems
- ✓ Fully factory finished & glazed
- ✓ Thermally Efficient U-Values 1.0 – 1.6Wm2K
- ✓ Air permeability : Class 3
- ✓ Wind resistance: Class 7A
- ✓ Water tightness : E2400
- ✓ Acoustic attenuation 32-42dB
- ✓ Spiral balance / tilt & slide or
- ✓ Traditional weights & pulleys
- ✓ Bespoke profile & horn detailing



BS EN ISO 9001:2016



BS EN ISO 14001:2016

Secured by Design



Secured by Design

(Optional on request)

Official Police Security Initiative



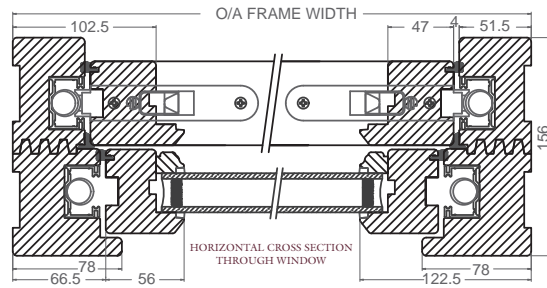
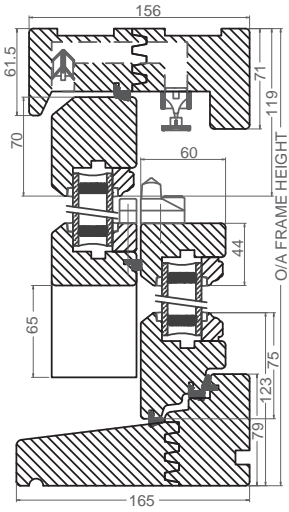
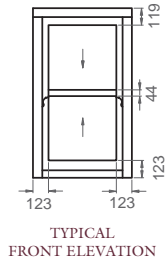
WinMark™ Enhanced Security

(PAS24 where requested)



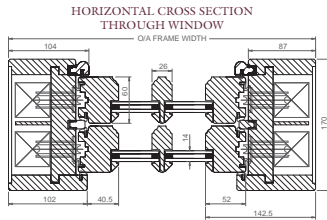
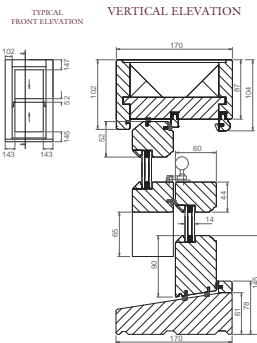
SLIDING SASH OPTIONS

TILT AND SLIDE

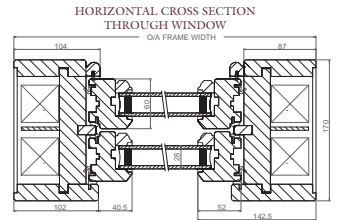
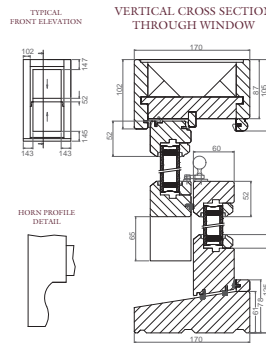


SLIDE AND TILT OPTION

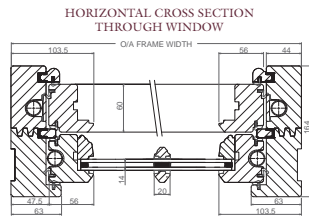
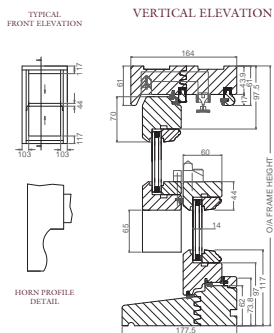
WEIGHTS & PULLEYS



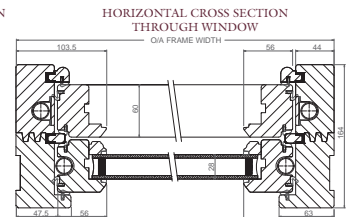
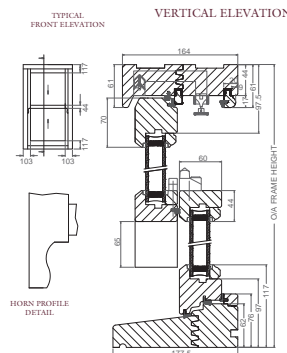
HERITAGE



SEMI-CONCEALED



14mm UNIT



Sliding Sash Furniture

For our sliding sash windows we have an elegant furniture collection that provides simple, effortless operation and high security.



Standard Hardware Offering

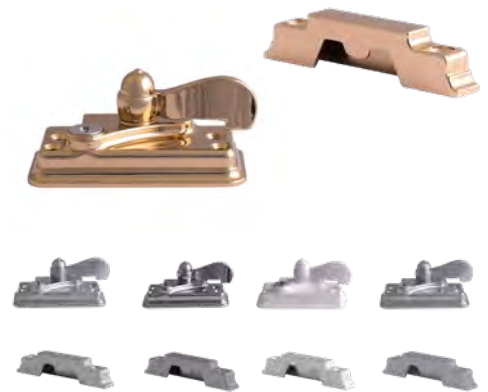
Sash Lift



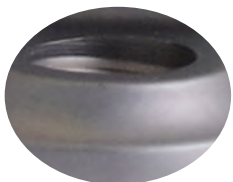
Sash Ring



Sash Fastener



Finishes available



Premium Satin



Hardex Chrome



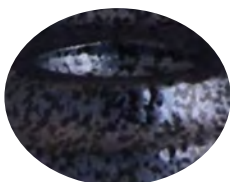
Hardex Graphite



Hardex Bronze



Hardex Gold



Antique Black



Hardex Pewter



White



Black

Premium Hardware Offering

If you would like to add a little extra quality to your windows, we offer a premium range. Most of which is from our preferred supplier The Coastal Group who specialise in the manufacture and supply of premium window and door hardware.

Sash Lift



Sash Fastener



Sash Stop



Sash Handle



Sash Ring



Sash Pulley, Pulley Cover and Pully Bumper

For sliding sash with traditional weights and pulleys



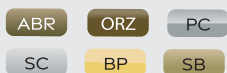
Sash Pulley

Rope or chain option



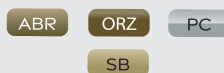
Sash Pulley Cover

Available in 6 finishes



Sash Pulley Bumber

Finishes available



GLACE™ Sash Lift

Sash Lift

Also available in Antique Brass finish.



Pressed Sash Lift



GLACE™ Sash Fastener

Claw Sash Fastener

Available in standard or security
Also available in Antique Brass finish



Fitch Type Sash Fastener

Also available in Antique Brass finish



GLACE™ Sash Ring

Side Plate Fix

Base Plate Fix



Polished brass finish shown

Finishes available
ORZ PC SC BP

GLACE™ Sash Stop

Flush Integral

Push Button



Polished brass finish shown

Antique brass finish shown

Finishes available
ABR ORZ PC SC BP SB

GLACE™ Sash 'D' Handle



Finishes available

ABR ORZ PC SC BP SB

Finish Icon Key

SB Satin Brass

SC Satin Chrome

ORZ Oil Rubbed Bronze

BP Polished Brass

PC Polished chrome

ABR Antique Brass

Trickle Vent Options

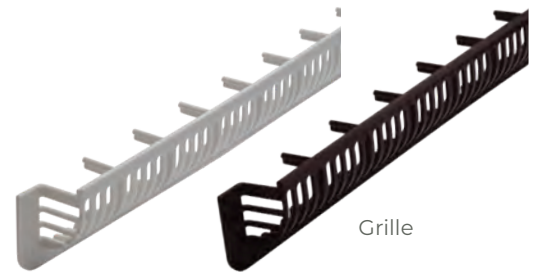
Trimvent® Select Xtra R16



Canopy

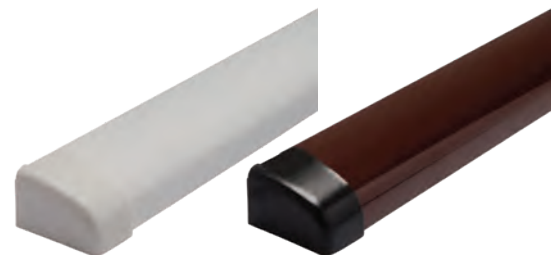


Trickle Vent



Grille

TVA Trickle Vent



Canopy



Trickle Vent



Timber Veneer Vents

Enables vent to be finished the exact same colour and finish as your window - painted or stained.

Bespoke Windows

Whilst the standard range featured in Window Solutions covers 90% of our current manufacturing. We have an extensive range of additional products inclusive of Yorkshire Sliding Sash, Tilt and Turn, Fully Reversible, Tilt & Slide & Dual Swing windows.

Our entire range including standard products can be modified to meet customer requirements.

Designed from scratch or modified from our standard range, we can provide a truly bespoke window solution incorporating traditional or contemporary styles including unique aesthetics. Products are manufactured using a combination of cutting edge CNC and in-house skilled craftsmen.



Door Solutions



Bespoke Residential Doors

Arden Residential Doors provide a fully tailored solution whatever your requirements. We utilise highly skilled craftsmen to produce a wide range of bespoke options in the style of door of your choosing.



Single Doors

Arden's door solution represents cutting edge design combined with the latest energy efficiency and durability advantages. The aesthetic possibilities are almost infinite as we do not limit customers to a rigid range of styles. Let your imagination go wild. All doors are fully accredited and Secured by Design.

Bi-Fold Doors

Creating a seamless transition between indoors and outdoors, bi-fold doors can transform a living space. Easily installed and even easier to operate and maintain, with advanced weatherseal technology our bi-fold doors ensure an uncompromised internal environment.



Double Doors

Arden offers a comprehensive and fully accredited range of double door sets manufactured from either traditional timber sections or using contemporary timber composite blades. Doors can be modified to include fanlights and sidelights, can incorporate arched heads and are complemented by a full range of hardware options.

STRATFORD DOORS

Single Doors



- ✓ Life cycle 60+ Years
- ✓ Traditional timber construction or manufactured using contemporary timber composite blades
- ✓ Advanced environmentally responsible paint systems
- ✓ Thermally efficient U-Values as low as 1.0 Wm2K
- ✓ Air permeability : Class 3
- ✓ Wind resistance : Class 3A
- ✓ Water tightness : 4
- ✓ Fully bespoke aesthetic design
- ✓ Extensive hardware options
- ✓ Secured by design accredited
- ✓ Part M compliant



BS EN ISO 9001:2016



BS EN ISO 14001:2016



Secured by Design
(Optional on request)



WinMark™ Enhanced Security
(PAS24 where requested)

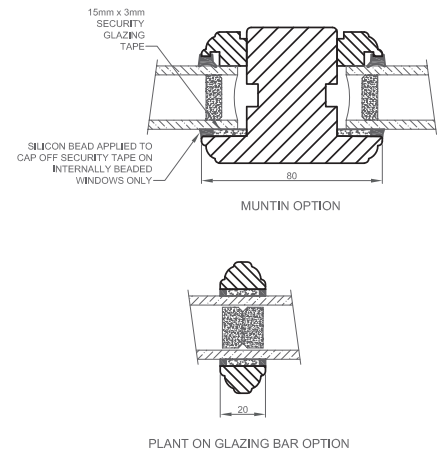
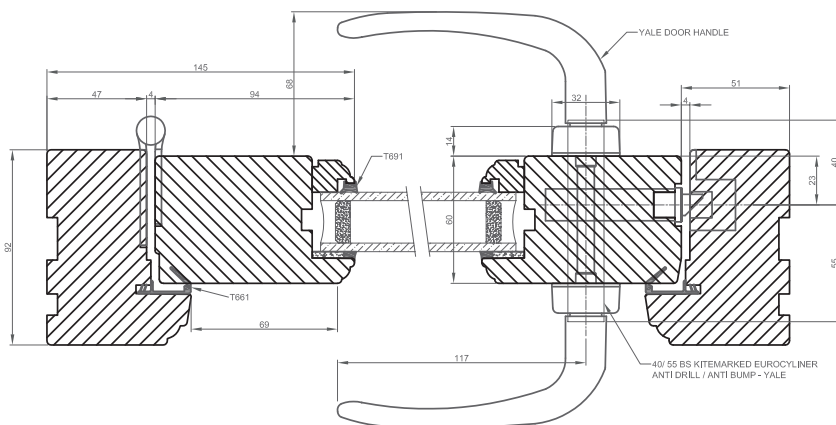


STRATFORD TECH Stratford SMART Doors

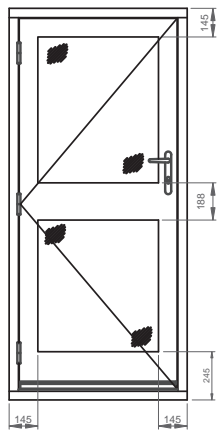
Featuring the very latest in innovative technology the doors may be unlocked using a variety of access solutions including Fingerprint, Traditional Keypad and even by using your Smart Phone. Contact us for more details.



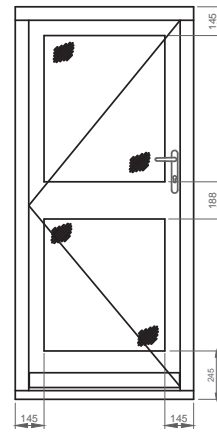
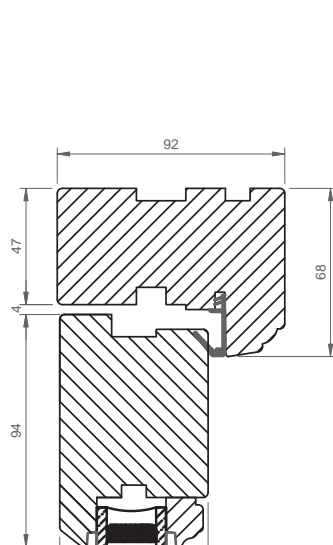
STRATFORD SINGLE DOOR CROSS SECTION DRAWING



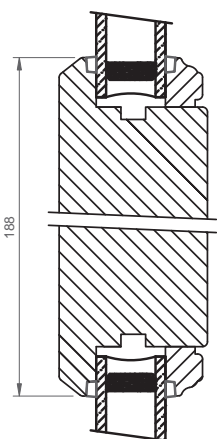
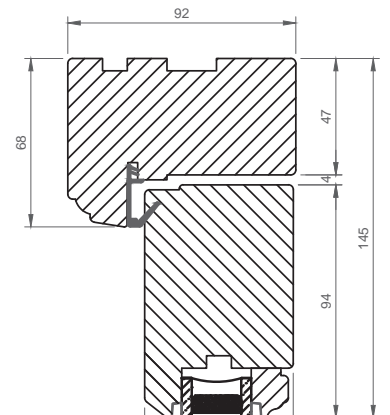
HORIZONTAL ELEVATION



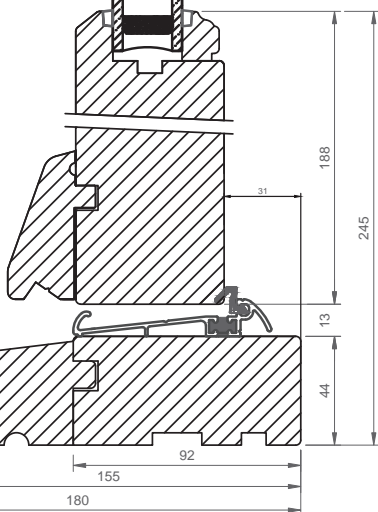
TYPICAL SINGLE DOOR ELEVATION



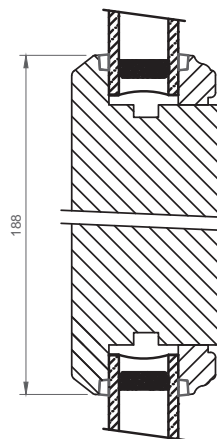
TYPICAL SINGLE DOOR ELEVATION



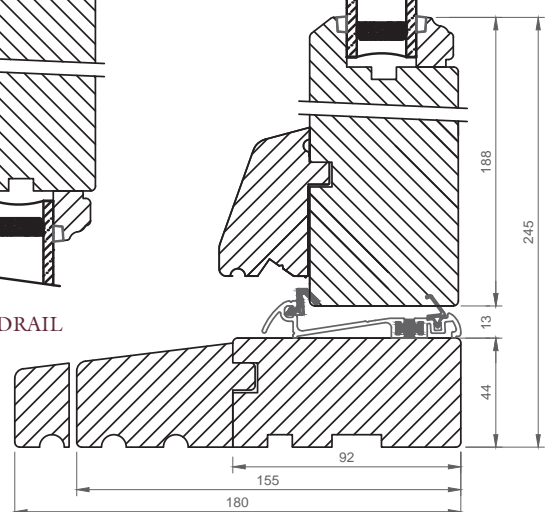
MIDRAIL



VERTICAL ELEVATION
OPEN OUT



MIDRAIL



VERTICAL ELEVATION
OPEN IN

STRATFORD DOORS

Double Entrance Doors



- ✓ Life cycle 60+ Years
- ✓ Traditional timber construction or manufactured using contemporary timber composite blades
- ✓ Advanced environmentally responsible paint systems
- ✓ Thermally efficient U-Values 1.1 – 1.8Wm2K
- ✓ Air permeability : Class 3
- ✓ Wind resistance : Class 3A
- ✓ Water tightness : 4
- ✓ Fully bespoke aesthetic design
- ✓ Extensive hardware options
- ✓ Secured by design accredited



BS EN ISO 9001:2016



BS EN ISO 14001:2016



Secured by Design
(Optional on request)



WinMark™ Enhanced Security
(PAS24 where requested)



Door Design Options

Contemporary Range



C1

C2

C3

C4



C5

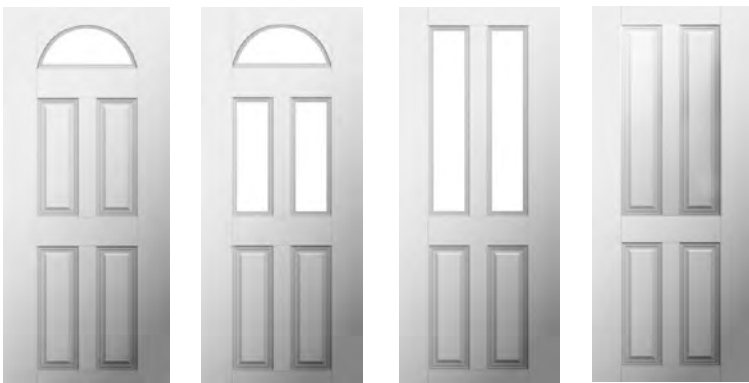
C6

C7

C8



Traditional Range

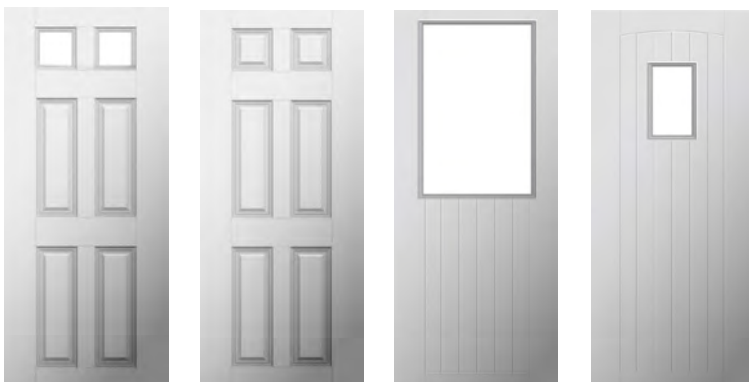


T1

T2

T3

T4

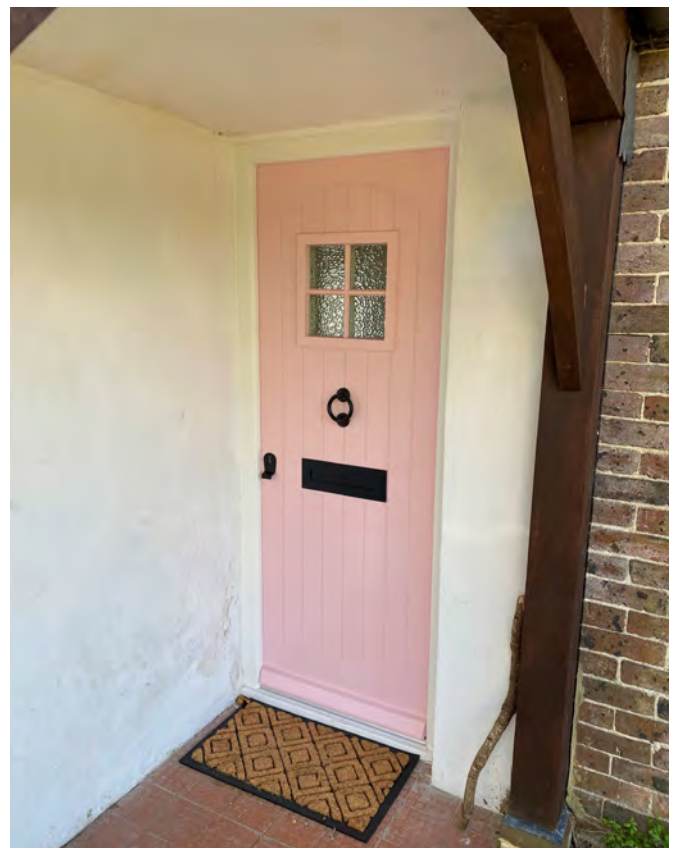


T5

T6

T7

T8



Stains and Paint Finishes

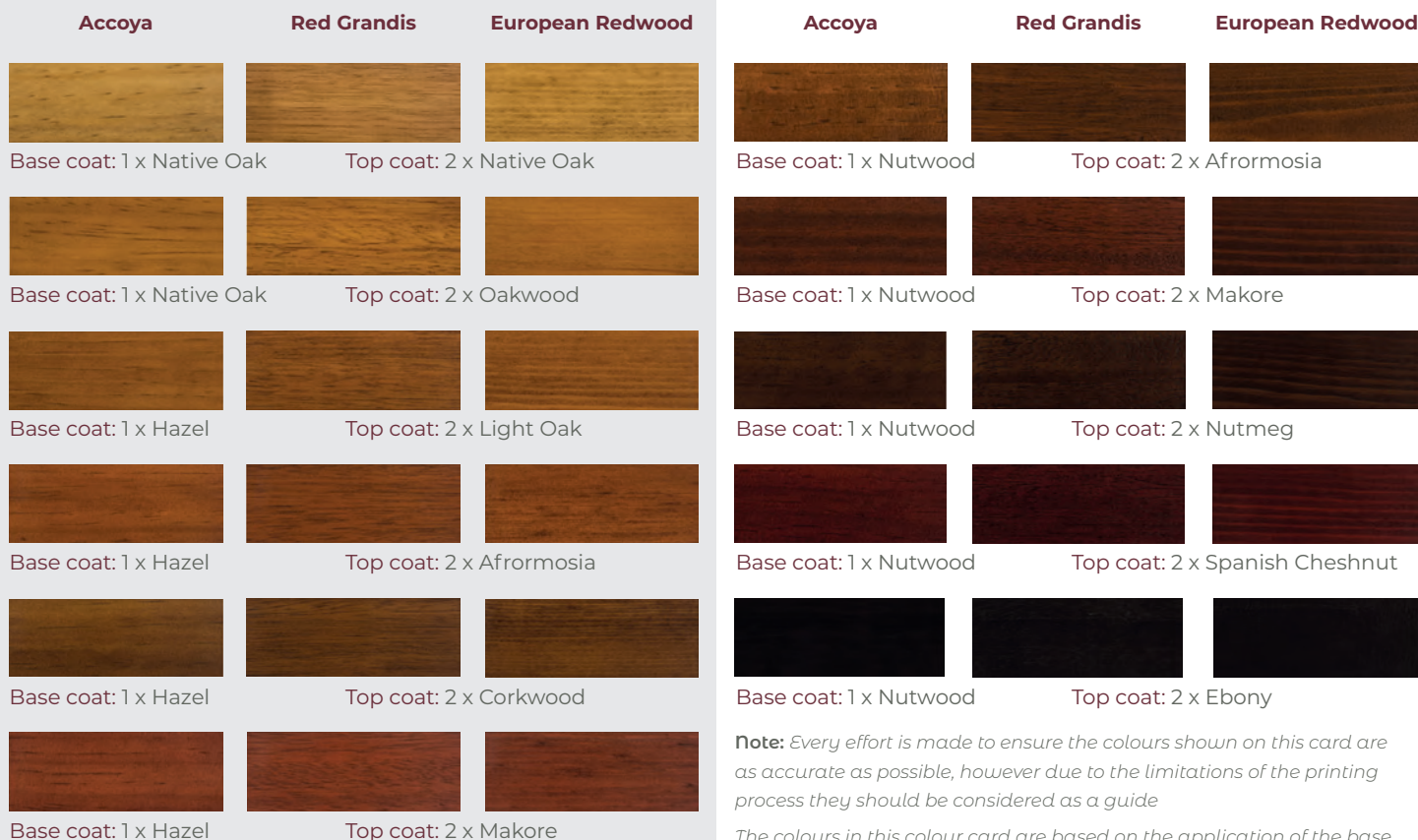
As standard our windows are finished in Ral 9016 White at a ratio of 70% Satin / 30% Gloss. Colours from the RAL chart are also available as well as a variety of stained finishes, colour matching and dual colour combinations are available on request.

Standard RAL Colour Options



Note: The above images are indicative only and may not accurately reflect the exact colour of the finished product. Painted swatches are available on request. Other colour finishes are available on request but may be subject to additional cost. Dual colour (different colour internal & external) is available at additional cost.

Wood Stains



Note: Every effort is made to ensure the colours shown on this card are as accurate as possible, however due to the limitations of the printing process they should be considered as a guide

The colours in this colour card are based on the application of the base coat by dipping, flow-coating or saturate spraying followed by two spray-applied top coats.

Decorative Glass Range

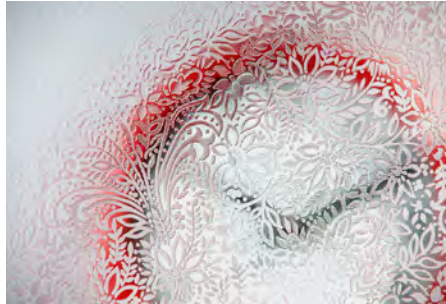
Allow maximum light into your home whether it's for privacy or pure style with 5 different levels of privacy or obscuration.



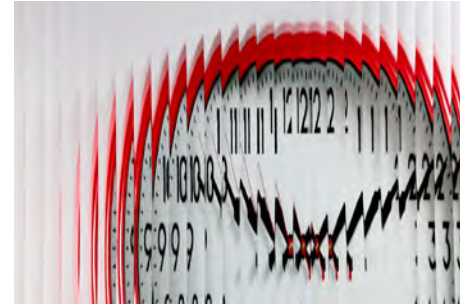
Pilkington Texture Glass Range



Warwick™
Privacy Level 1



Chantilly™
Privacy Level 2



Reeded™
Privacy Level 2



Digital™
Privacy Level 3



Taffeta™
Privacy Level 3



Oak™
Privacy Level 4



Contora™
Privacy Level 4



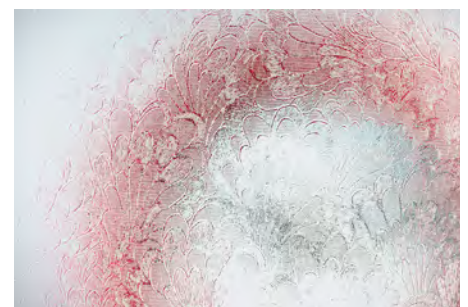
Charcoal Sticks™
Privacy Level 4



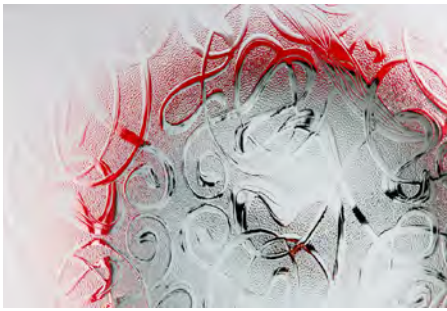
Florielle™
Privacy Level 4



Mayflower™
Privacy Level 4



Pelerine™
Privacy Level 4



Everglade™
Privacy Level 5



Cassini™
Privacy Level 5



Tribal™
Privacy Level 5

Pilkington Replacement Texture Glass Range



Flemish™
Privacy Level 1



Minster™
Privacy Level 2



Sycamore™
Privacy Level 2



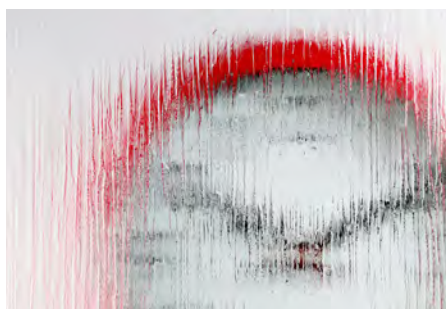
Autumn™
Privacy Level 3



Stippolyte™
Privacy Level 4



Arctic™
Privacy Level 5



Cotswold™
Privacy Level 5

Front Entrance Door Furniture



Standard Hardware Offering

Lever Handle



Finishes available



Letterplate

Perfectly mix and match to suit interior and exterior door finishes



Internal Letterplate

External Letterplate



Premium Hardware Offering

Should you be looking for something a little more sublime than our standard hardware. We have teamed up with leading supplier Coastal to bring you a range of the highest quality upgrade options available in Traditional and Contemporary Styles, in a number of finishes.

Classic Range

THE HERITAGE SUITE

This Suited Range has been selected for traditional Heritage style doors from Coastal BLU® Range.



Satin
Stainless Steel



Polished
Stainless Steel



PVD Stainless
Satin Brass



PVD Stainless
Polished Brass



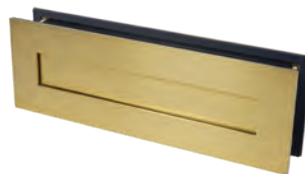
PVD Stainless
Satin Black



CP30
CYLINDER PULL



DKB200
RING DOOR KNOCKER



LP400
SLLEVED LETTER PLATE



KM388
CENTRE DOOR KNOB

Door Knocker Option

BLU™

Doctor's Door Knocker



THE REGENT SUITE

This Suited Range includes Coastal's Regent Lever Door Handle and features elegant styling to create that classic look. The gentle sweeping curves make the Regent Handle aesthetically pleasing to the eye and ergonomically comfortable to operate.



Polished Stainless Steel



PVD Stainless Satin Brass



PVD Stainless Polished Brass



PVD Stainless Satin Black

THE OPERA SUITE

This Suited Range includes our Opera Lever Door Handle and features a classic bulb-end design.

The solid bulb-end design of the Opera Handle, with subtle engraving detail, gives a quality feel which is well suited to a wide variety of styles.

2 types of handle option to choose.



Contemporary Range

THE CONTEMPORARY SUITE FOR LEVER OPERATED DOORS

This suited range is for those who want modern styling but need a lever handle to operate their multipoint lock.



SSS

Ergonomic on Backplate



SSS

PSS

PBK

Mitre on Backplate



SSS

Mitre on Slimline Backplate

THE CONTEMPORARY SUITE FOR NON-LEVER OPERATED DOORS

For those who want modern styling with key operated or slam shut lock on their door. Pull handles are particularly useful for heavy doors.



Pull Handle Option



SSS

MBL

Inline Round
'T' Bar

Sizes available

- ✓ 400mm
- ✓ 600mm
- ✓ 900mm
- ✓ 1200mm
- ✓ 1500mm
- ✓ 1800mm



SSS

MBL

Offset Round
'T' Bar

Sizes available

- ✓ 400mm
- ✓ 545mm
- ✓ 600mm
- ✓ 900mm
- ✓ 1200mm
- ✓ 1500mm
- ✓ 1800mm



SSS

MBL

Inline Rectangular
'T' Bar

Sizes available

- ✓ 400mm
- ✓ 900mm
- ✓ 1200mm
- ✓ 1500mm
- ✓ 1800mm



SSS

MBL

Offset Rectangular
'T' Bar

Size available

- ✓ 1200mm



SSS

MBL

Square Mitre

Size available

- ✓ 900mm
- ✓ 1200mm

Escutcheon Option

SSS

MBL



KM045 - Oval Escutcheon

SSS

MBL



KM080 - Rectangular Escutcheon

SSS



SE40 - SecurityOval Escutcheon

SSS

MBL



KM056 - Square Escutcheon

SSS

MBL



KM055 - Round Escutcheon

SSS



SE38 - Security Round Escutcheon

Suited Door Furniture



LP400 Sleeve Letter Plate



DKB155 Door Knocker



Numerals & Letters



STRATFORD DOORS

Bi-Fold Doors



- ✓ Life expectancy 60+ Years
- ✓ Sustainably sourced engineered timber Softwood or Hardwood
- ✓ Advanced environmentally responsible paint systems
- ✓ Fully factory finished & glazed
- ✓ Featuring market leading hardware supplied by Centor®
- ✓ Air permeability : Class 3
- ✓ Wind resistance : Class C3
- ✓ Water tightness : 5A
- ✓ Thermally efficient double glazing
- ✓ Part L compliant
- ✓ Timber / aluminium or DTS cills



BS EN ISO 9001:2016



Secured by Design

(Optional on request)

Official Police Security Initiative



BS EN ISO 14001:2016

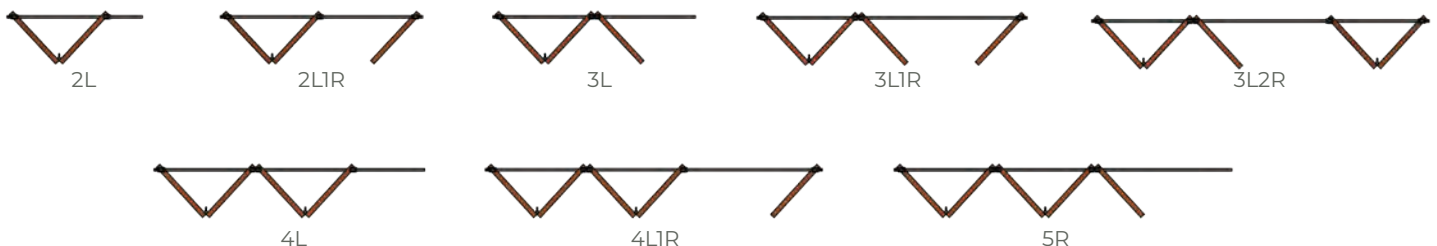


WinMark™ Enhanced Security

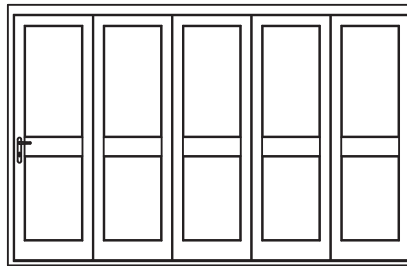
(PAS24 where requested)

Bi-Fold Door Configurations

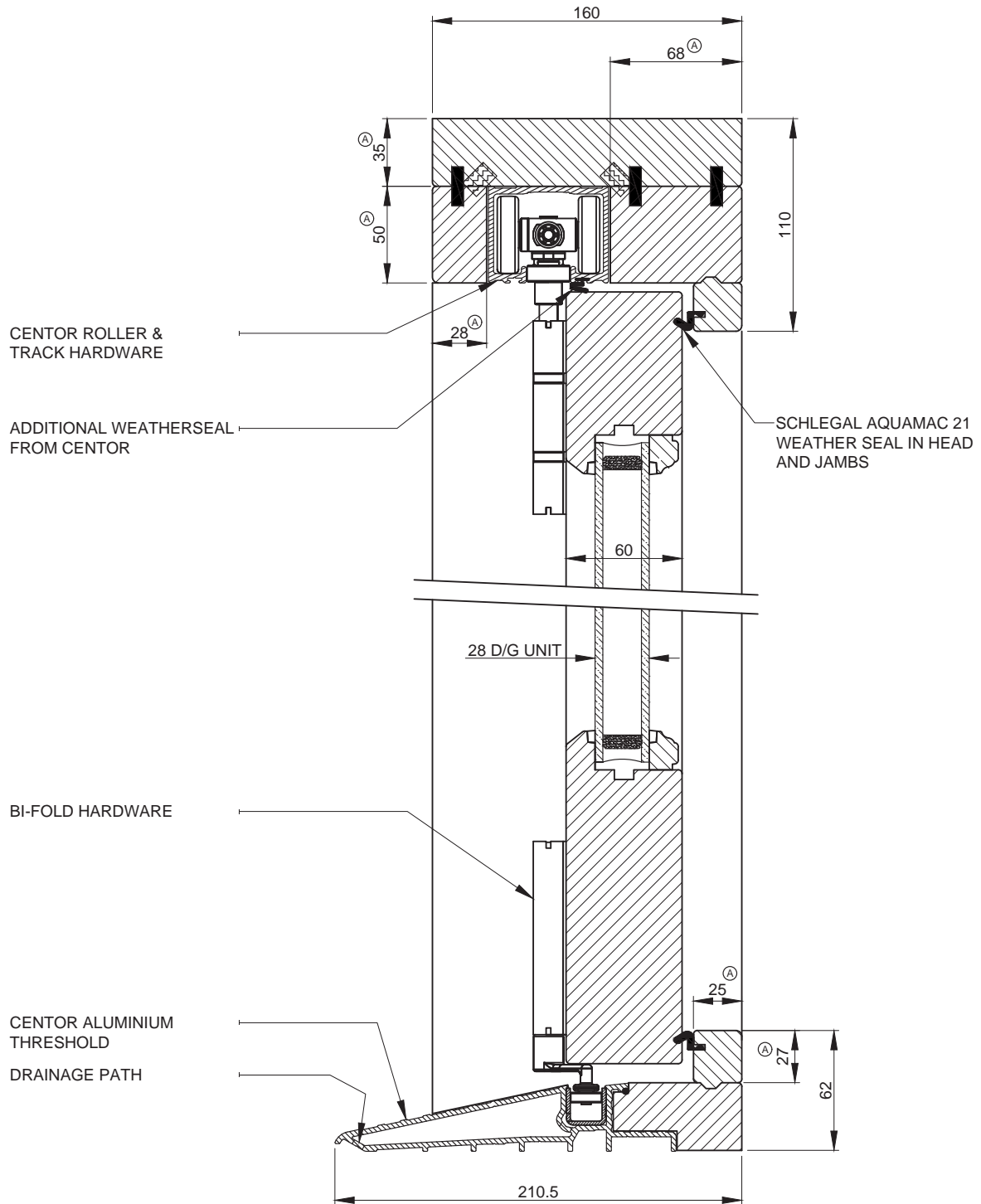
Typical Bi Fold opening configurations, from two leaves upwards, include multiple left (L) and right (R) hand options



STRATFORD BI-FOLD DOOR CROSS SECTION DRAWING



TYPICAL ELEVATION SHOWING FIVE LEAF VARIATION



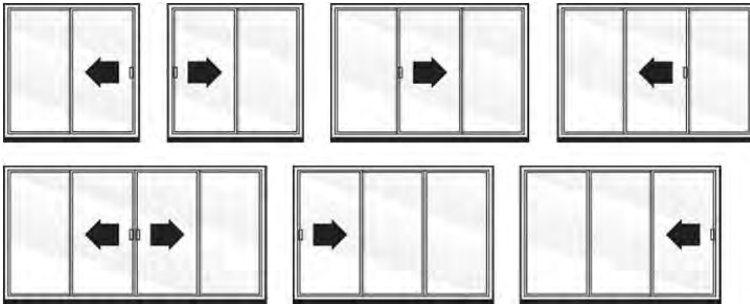
VERTICAL ELEVATION

Sliding Patio Doors

Available in 2, 3 and 4 panel configurations with a wide range of energy-efficient glazing options and decorative grilles. Standard 2-panel patio doors are available in 5', 6' and 8' widths with two height options. Custom sizes are available upon request.

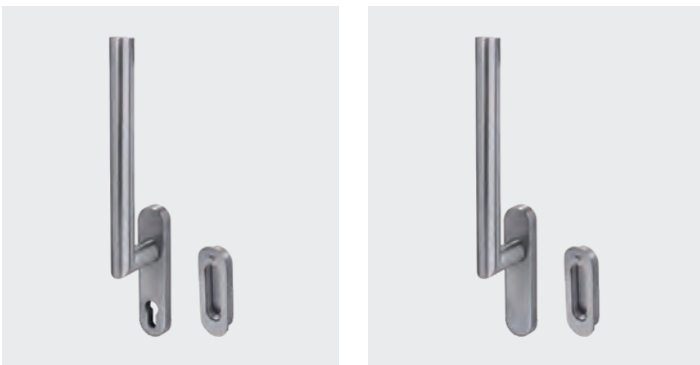


Opening Configurations

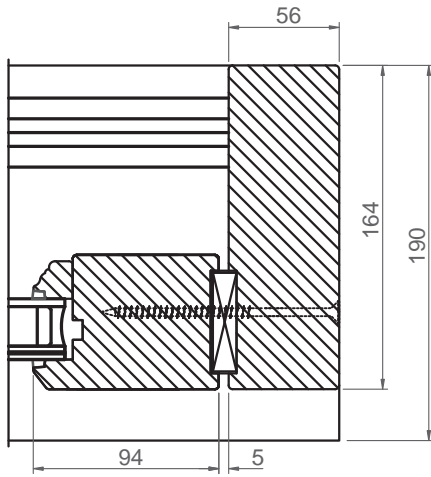


Premium Patio Sliding Door Handle Option

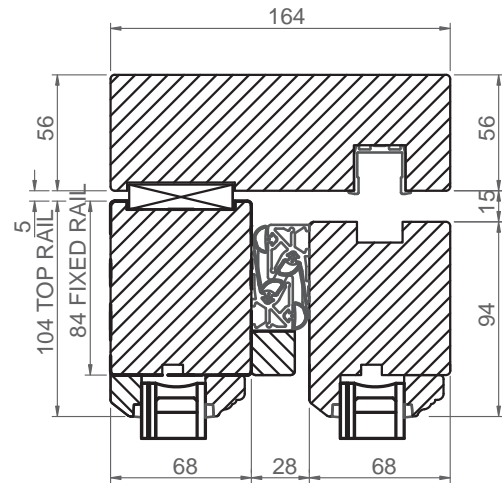
Contemporary, high quality lift and slide handles for patio doors with unique 2-stage click action for superior operation.



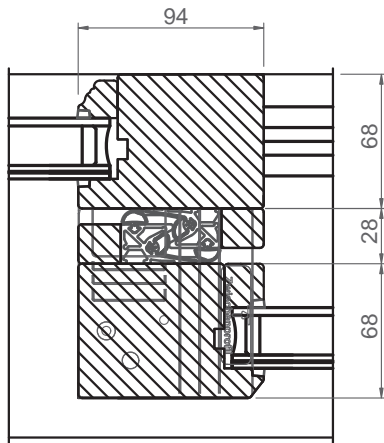
PATIO LIFT AND SLIDE SECTION



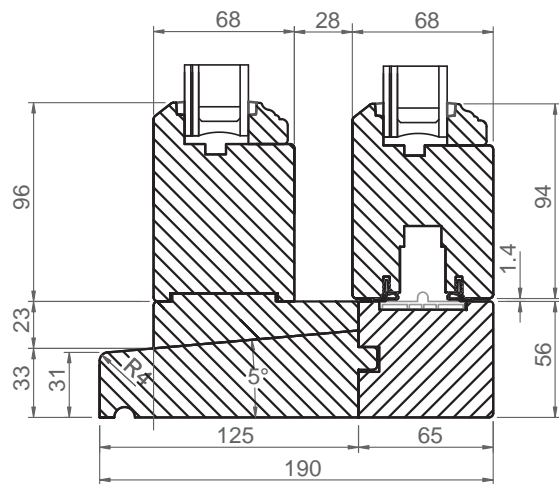
FIXED DOOR TO JAMB



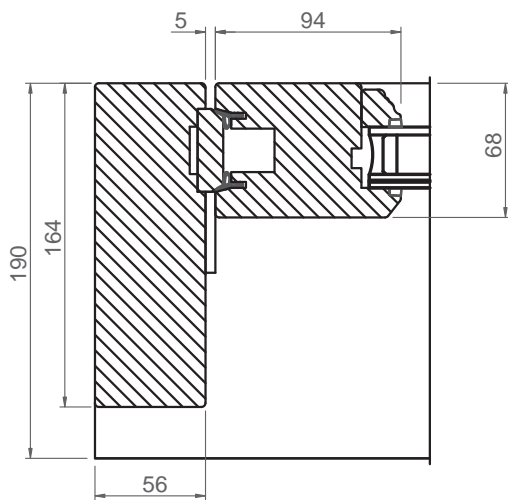
HEAD SECTION
FIXED / SLIDING DOOR



INTERLOCKING STILES



BTM RAIL DOOR
FIXED / SLIDING CILL



SLIDING DOOR LOCKING

Case Studies



Arden Windows – The First Virtually Plastic Free Homes

Arden Windows Ltd were trusted to supply Green Square Accord the timber windows for the UK's "first virtually plastic free Homes"

The UK takes a significant step towards sustainable living with the introduction of its first plastic-free homes, setting a new benchmark for eco-friendly construction and design. Spearheaded by innovative developers and sustainability advocates, these pioneering homes are designed to minimise plastic usage throughout their construction and daily operation, offering residents a greener and healthier living environment.



The introduction of the UK's first plastic-free homes marks a significant milestone in the journey towards sustainable living. By demonstrating that it's possible to build attractive, comfortable, and functional homes without relying on plastic, these pioneering projects are paving the way for a greener and more sustainable future. As more people become aware of the benefits of plastic-free living, we can expect to see continued growth and innovation in this exciting field.



Samuel Lewis Housing Trust, Fulham

Bespoke sliding sash window replacement scheme

Client	Southern Housing Association
Contractor	Durkan Limited
Product	Bespoke Sliding Sash Windows

The buildings at Lisgar Terrace in Fulham are one of many Samuel Lewis Housing Trust Estates in the London area, each comprising of a solid brick structure characterised by large chimney stacks and high cornices.

Samuel Lewis was a Victorian philanthropist who earned his fortune through finance and money-lending. On his death in 1901 he left an endowment of £670,000 to set up a charitable trust to provide housing for the poor.

The blocks at Lisgar Terrace were built in 1927 and are a fine example of Victorian architecture, although the timber sliding sash



windows which were nearly 100 years old were in need of replacement.

Durkan were appointed by Southern Housing Group to undertake a £30m refurbishment of the estate a number of years ago.

Arden worked with the architect to design a bespoke solution for the windows that met the aesthetic, thermal, and security requirements of the project. Samples were manufactured and approved by the client and conservation officer and Arden supplied the windows to the first four phases, which were installed by others.

In late 2019 having proven the product quality and manufacturing capability throughout the supply of products to the first phases, Arden tendered for and were subsequently appointed by main contractor Durkan to undertake the full sub-contract supply and installation of windows and a number of doors to Phase 5 of the window replacement works. Work commenced on site in March 2020 and despite the challenges of programme revisions, supply chain disruption and site closures due to the Pandemic; the project was completed on time and within budget.

This major project further strengthens Arden's position as a leading sub-contract manufacturer and installer of bespoke timber windows and doors in the capital, this being one of a number of major projects they are undertaking in 2020 – 2021.





Stunning Development from Morris Homes

Conservation Windows and Doors

Client	Burghley House Preservation Trust
Contractor	Morris Homes
Product	Bespoke Sliding Sash Windows / Residential Doors / French Doors

Cecil Square contains 45 homes on a 1.5-hectare site in Stamford which was formally the location of Stamford AFC football club. It is a well-planned development of executive homes, founded upon the strong principles of good quality urban design and environmental sustainability.

With its long history, spectacular town centre, and vibrant sense of community, Stamford is a special place in which to live and work. The local authorities, landowners, developers and other stakeholders all acknowledged there was a challenge and a responsibility to help this much-cherished town grow and meet the needs of its current and future residents.

The client, Burghley House Preservation Trust entrusted Adam Architecture and housebuilder Morris Homes to bring their vision and values to reality, resulting in a stunning development completed in late 2019.

Following a thorough tendering process including assessment of quality, environmental, technical capability and accreditations by the client, architect and the developer, Arden windows were selected as the preferred supplier and installer of the timber window and door package. Products supplied include timber sliding sash windows, flush casement windows, and double and single residential doors.



The bespoke window and door designs supplied by Arden achieve the requirements of the traditional aesthetics essential in such a key location, thus ensuring that the new development is in keeping with the local architecture. In addition to meeting this requirement, all products were manufactured within an IOS9001 Quality Management System, are fully certified to all current UK building regulations and are secured by design accredited.

Arden undertook the full sub-contract supply and installation of the window and door package which was managed directly by their contracts director and installation teams.

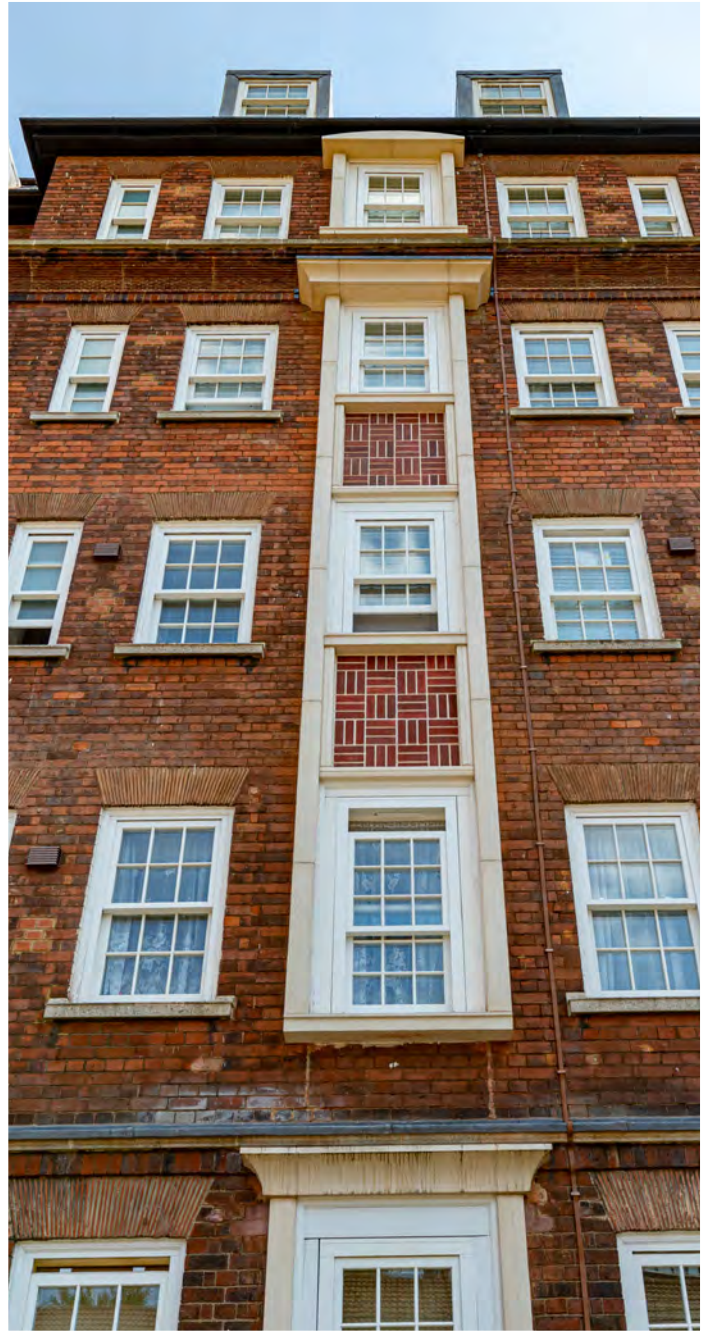


Projects









Arden | The forefront of timber
windows & doors

Arden Windows Ltd

Arden House, Sparkbrook Street, Coventry, CV1 5ST

T 02476 632423 **E** info@ardenwindows.net **W** ardenwindows.net